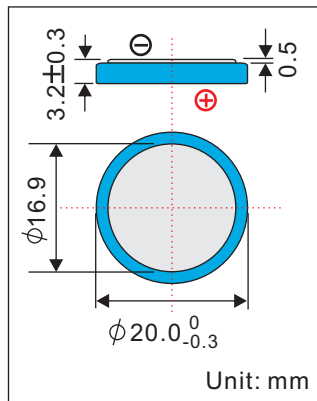


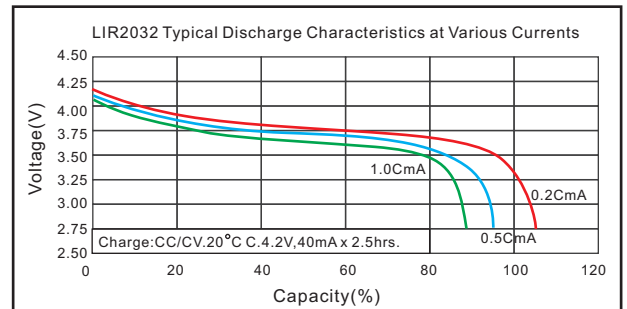
LIR2032 *Brief datasheet*

Lithium Ion Battery

1 Dimension



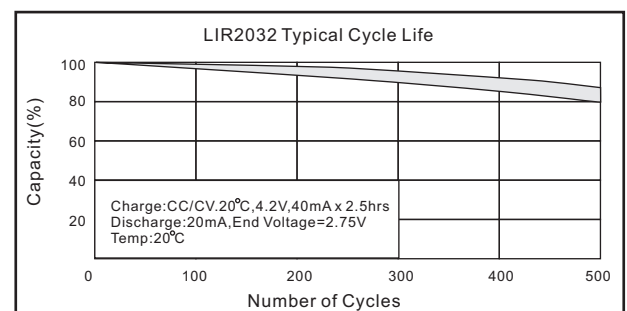
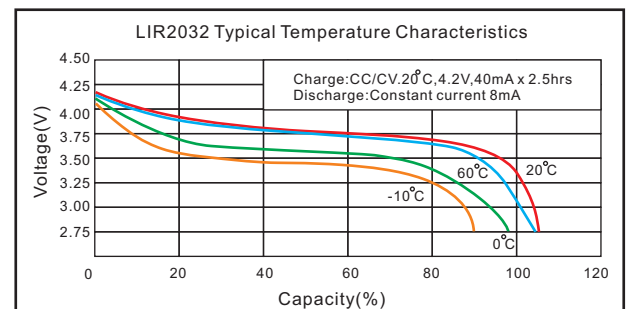
3 Electrical Characteristics



2 Basic Specification

| | | |
|---------------------------|--|----------------|
| Nominal Voltage | 3.6V | |
| Nominal Capacity | Typical | 45mAh |
| | Minimum | 40mAh |
| Charge method | CC/CV (Constant Current-Constant Voltage) current: 0.5C Voltage: 4.2V End current: 0.02C | |
| Charging Voltage | 4.20V | |
| Charging Std. Current | 0.5C | |
| Max Current | Charge | 1C |
| | Discharge | 2C |
| Ambient Temperature | Std. Charge | -20°C to 45°C |
| | Discharge | -20°C to 60°C |
| | Storage | 15 °C to 25 °C |
| Discharge cut-off voltage | 2.75V | |
| Internal Impedance | ≤600 mΩ | |
| Cycle life | >500cycles(≥80% capacity) | |
| Nominal Weight | Approx.3.1g | |

*1C = 1 Capacity



Note: Any representations in this brochure concerning performance, are for informational purposes only and are not construed as warranties either expressed or implied, of future performance.